

Semiconductor Flow Equipment

High Purity Tubes & Fittings



Semiconductor



Bio-Pharm



Hygienic



SciMax® - Ultra Purity With Guaranteed Ra

SciMax Semiconductor Flow Equipment is specially designed to meet the stringent standards of the semiconductor industry, delivering maximum results.

Maximum Guaranteed Ra

Using unique polishing technology, EGMO guarantees the RA in all internal surfaces, including bent areas where it is difficult to polish and difficult to measure.

Maximum Cleanability

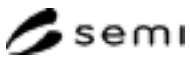
The multi-step cleaning cycle (degreasing, pickling, and electro-polishing) is conducted to ensure that products are cleaned with a perfect passivation layer. Final cleaning with ultra pure water is undertaken in a clean room.

Maximum Availability

State-of-the-art manufacturing facilities and full marketing, distribution, and support in Europe, the USA, and Asia enables EGMO to supply semiconductor flow equipment of the highest quality standards to meet the customer's demands.

Full Traceability

Each step of our production process is documented and recorded starting from raw materials through finished goods.



About EGMO

EGMO, a member of NEUMO Ehrenberg Group, is a worldwide leader in the manufacturing of high purity, stainless steel products for the Semiconductor, Biopharmaceutical and food industries. Founded in 1965, EGMO offers its customers decades of experience in innovative development and production of an extensive range of tubes, fittings, valves, vessels and other special components. EGMO is ISO 9001:2008, CE, ASME & CRN certified and its products also meet the following standards: TUV, 3A, DIN, ISO, CE, SMS, BS (RJT)

NEUMO Ehrenberg Group

The NEUMO Ehrenberg Group, a diversified multinational organization headquartered in Germany, was founded by Senator Henry Ehrenberg in 1947. The know-how, experience, and impressive track record of its companies, NEUMO, VNE and EGMO, have been earned over four decades. Today, the group is a leading manufacturer of worldwide stainless-steel process fittings and components. The Group's worldwide distribution network supports major multinational accounts.



| www.egmo.co.il |

Index

Fittings Specifications Page 4

Inspection Test and Documentation Page 5

How to Order Page 6

Tubes Page 10

Fitting Types Page 11



Elbows | Page 11 |



Tees | Page 12-13 |



Reducers | Page 14 |



End Caps | Page 15 |



Crosses | Page 15-17 |



COAX | Page 18-20 |



SCI-Connect S® | Page 21 |

Laterals and Manifolds Page 22

Technical Information Page 24

MTR - Material Test Report Page 26

Vessels & Customized Components Page 27

Product specification

	SCiMax30	SCiMax20	SCiMax15	SCiMax10	SCiMax5
Application	CDA, GN2	CDA, GN2, breathing air systems	High purity systems	Ultra High Purity systems	Ultra High Purity systems
Material	304L/316L	316L	316L	316L	316L
ID Ra (Inch/meter)	30/.75	20 /0.5	15 /0.375	10 /0.25	5 /0.125
Surface treatment	MP*	MP*/EP	MP*/EP	EP	EP
Final cleaning	DI-WATER	DI-WATER	DI-WATER	UPW 18MΩ	UPW 18MΩ
Packing environment area	Class 100,000	Class 1,000	Class 1,000	Class 10	Class 10
Packing & Capping	N2 purge + PE cap + PE bag	N2 purge +PE cap + PE bag	N2 purge +PE cap + PE bag	UHP N2 purge + PE cap + Double PE bag	UHP N2 purge + PE cap + Double PE bag
Marking	All SCiMax products are marked as follows: • Heat number • Job number • Material grade • Dimensions • Brand name				

Inspection Tests And Documentation

Summary table of testing, inspection and certification that can be given per our process.

Description	Standard / Value					
		SciMax30	SciMax20	SciMax15	SciMax10	SciMax5
Material Composition	ASTM A269/A270, A632	✓	✓	✓	✓	✓
Mechanical Tests	ASTM A269, A632	✓	✓	✓	✓	✓
Visual Inspection 100%	Internal procedure	✓	✓	✓	✓	✓
Dimensional Measurements	ANSI B31.3	✓	✓	✓	✓	✓
Hydrocarbon Cleaning Inspection	CGA G-4.1	✓	✓	✓	✓	✓
Helium Leak Test for Welded Fittings	1*10 ⁻⁹ scc/sec	✓	✓	✓	✓	✓
Inspection Certification	EN 10204 3.1	✓	✓	✓	✓	✓
Ra Measurements	ASME B46.1	✓	✓	✓	✓	✓
Particles Test	<10 particles (greater than 0.1μ ft ³)				✓	✓
Moisture Test for Tube: Additional Moisture on UHP N2 Purged Gas	Δ0.5 ppm				✓	✓
Ultra Pure Water Resistivity	18 MΩ				✓	✓
SEM TEST - Scanning Electron Microscopy for Defects	SEMATECH 90120401B 40 defects (magnification*3500)				✓	✓
XPS TEST - X Ray Photoelectron Spectroscopy for Analysis of Cr/Fe	SEMATECH 90120403B 1.5/1<				✓	✓
XPS TEST - X Ray Photoelectron Spectroscopy for Analysis of CrO/ FeO	SEMATECH 90120403B 3/1 <				✓	✓
AES TEST - Auger Electron Spectroscopy for Measuring of Oxide Thickness	SEMATECH 91060573B / 20 A<				✓	✓

How to order

To specify the part, choose a product line, type of material and then select the code number describing the requested part as shown below:

Tubing:

S M 3 0 3 1 6 L E P W E - . 2 5 X . 0 3 5
 Product Line Material Surface Treatment Type O.D. Size Wall Thickness Inch

Product Line	Material	Surface Treatment	Type	O.D. Size	Wall Thickness Inch
SM30 - SCiMax 30	316L	EP - Electro Polish	WE - Welded	¼" - .25	.035
SM25 - SCiMax 25	304L	MP* - Mechanical Polish BA - Bright Annealed	SL - Seamless	⅜" - .375	.035
SM20 - SCiMax 20				½" - .5	.049
SM15 - SCiMax 15				½" - .5	.065
SM10 - SCiMax 10				¾" - .75	.065
SM5 - SCiMax 5				1" - 1.0	.065
				1½" - 1.5	.065
	2" - 2.0	.065			
			2½" - 2.5	.065	
			3" - 3.0	.065	
			4" - 4.0	.083	
			6" - 6.0	.109	

*MP - Seamless tubes are bright annealed only. For Example: SM30316LMPSL-.25x.035

Fitting:

S M 3 0 3 1 6 L E P E L 9 0 - . 2 5
 Product Line Material Surface Treatment Shape O.D. Size

Product Line	Material	Surface Treatment	Shape	O.D. Size
SM30 - SCiMax 30	316L	EP - Electro Polish	EL90 - Elbow 90	¼" - .25
SM25 - SCiMax 25	304L	MP - Mechanical Polish	EL45 - Elbow 45 ETEE - Equal Tee ECRS - Equal Cross ECAP - End Cap	⅜" - .375
SM20 - SCiMax 20				½" - .5
SM15 - SCiMax 15				¾" - .75
SM10 - SCiMax 10				1" - 1.0
SM5 - SCiMax 5				1½" - 1.5
				2" - 2.0
	2½" - 2.5			
			3" - 3.0	
			4" - 4.0	
			6" - 6.0	

For Example: SM30316LEPEL45-.5

How to order

Coax Fitting:

S M 3 0 C O A X 3 1 6 L E P E L 9 0 - . 2 5
 Product Line Material Surface Treatment Shape O.D. Size
 (Internal Process Tube)

Inner Tube Parameters				
Product Line	Material	Surface Treatment	Shape	O.D. Size
SM30COAX - SCiMax 30 COAX	316L	EP - Electro Polish	EL90 - Elbow 90	¼" - .25
SM25COAX - SCiMax 25 COAX	304L	MP - Mechanical Polish	EL45 - 45	⅜" - .375
SM20COAX - SCiMax 20 COAX			ETEE - Equal Tee	½" - .5
SM15COAX - SCiMax 15 COAX			* PTEE - Purge Tee	¾" - .75
SM10COAX - SCiMax 10 COAX			* SLVE - Sleeve	1" - 1.0
SM5COAX - SCiMax 5 COAX			* TERM - Terminator	

For Example: SM10COAX316LEPEL45-.5

* Size refers to outer tube

Coax Reducing Components:

S M 3 0 C O A X 3 1 6 L E P R T E E - . 3 7 5 X . 2 5
 Product Line Material Surface Treatment Shape O.D. Size Large O.D. Size Small
 (Internal Process Tube) (Internal Process Tube)

Inner Tube Parameters					
Product Line	Material	Surface Treatment	Shape	Size Large	Size Small
SM30COAX - SCiMax 30 COAX	316L	EP - Electro Polish	RTEE - Reducing Tee	⅜" - .375	¼" - .25
SM25COAX - SCiMax 25 COAX	304L	MP - Mechanical Polish		½" - .5	⅜" - .375
SM20COAX - SCiMax 20 COAX				¾" - .75	½" - .5
SM15COAX - SCiMax 15 COAX				1" - 1.0	¾" - .75
SM10COAX - SCiMax 10 COAX					
SM5COAX - SCiMax 5 COAX					

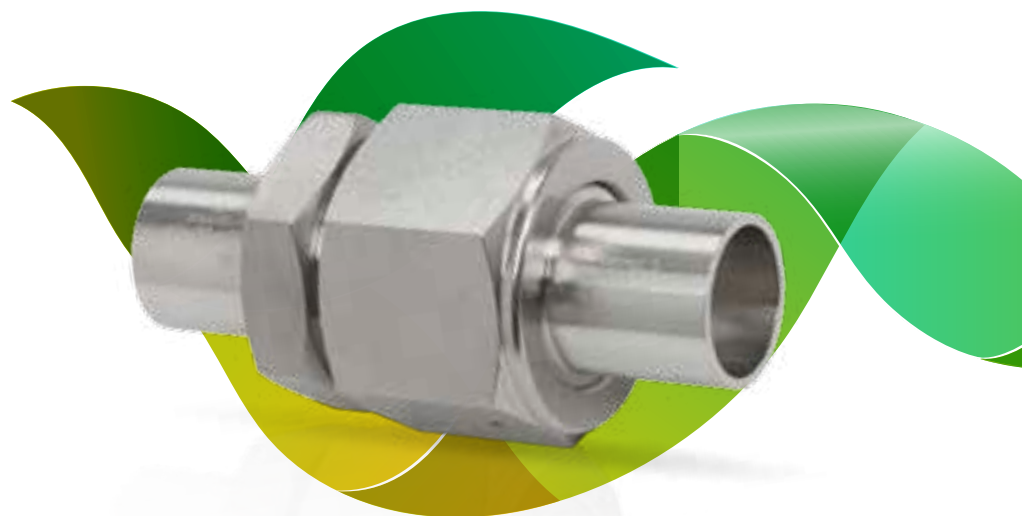
For Example: SM10COAX316LEPRTEE-.5x.25

SCI - Connect S®

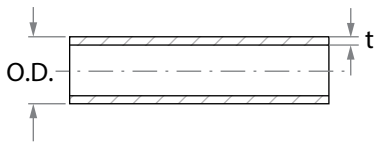
S **M** **3** **0** **C** **S** **3** **1** **6** **L** **E** **P** - **.** **2** **5** **X** **.** **0** **3** **5**
 Product Line Material Surface Treatment O.D. Size Wall Thickness Inch

Product Line	Material	Surface Treatment	O.D. Size	Wall Thickness Inch
SM30CS - SCiMax 30 Connect S	316L	EP - Electro Polish	¼" - .25	.035
SM25CS - SCiMax 25 Connect S	304L	MP - Mechanical Polish	⅜" - .375	.035
SM20CS - SCiMax 20 Connect S			½" - .5	.049
SM15CS - SCiMax 15 Connect S			½" - .5	.065
			¾" - .75	.065
			1" - 1.0	.065
			1½" - 1.5	.065
			2" - 2.0	.065
			2½" - 2.5	.065
	3" - 3.0	.065		
	4" - 4.0	.083		

For Example: SM30CS316LEP-.75x.065



Tubes

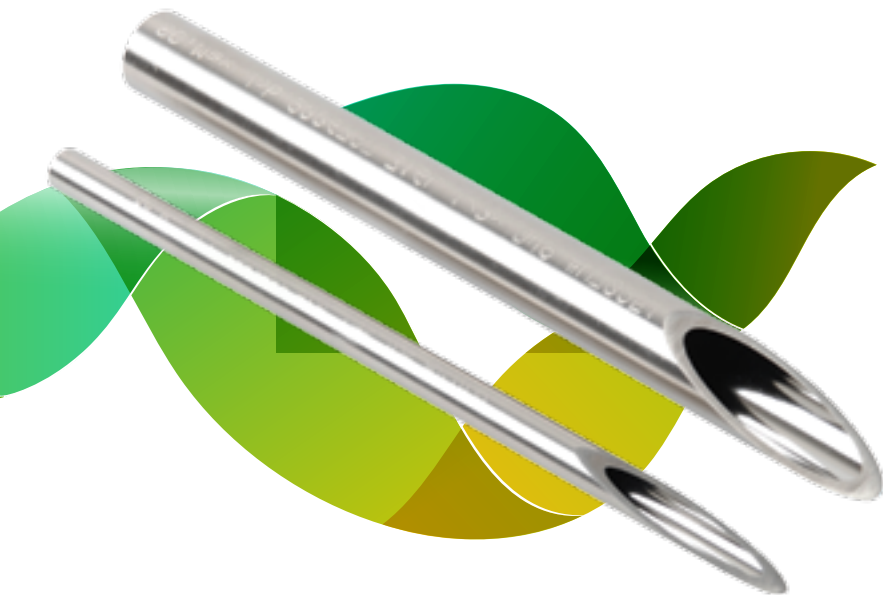


Tube Dimensions

O.D. Size Inch	Wall Thickness		Catalog# EP	
	t inch	t mm	SCiMax 10	SCiMax 30
1/4"	0.035	0.89	581-00012	581-00020
3/8"	0.035	0.89	581-00013	581-00034
1/2"	0.049	1.24	581-00014	581-00071
5/8"	0.049	1.24	581-00152	581-00090
3/4"	0.065	1.65	581-00015	581-00073
1"	0.065	1.65	581-00016	581-00092
**1"	0.065	1.65	581-00019	581-00074
1 1/4"	0.065	1.65	581-00153	581-00137
1 1/2"	0.065	1.65	581-00026	581-00075
2"	0.065	1.65	581-00028	581-00076
2 1/2"	0.065	1.65	581-00029	581-00077
3"	0.065	1.65	581-00030	581-00078
4"	0.083	2.11	581-00031	581-00079
6"	0.109	2.77	581-00032	581-00080

* How to order - see page 6

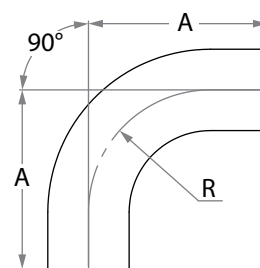
** Welded



Elbows

EL90 - Elbow 90°

O.D. Size Inch	Dimensions				Catalog# EP	Catalog# BA/ MP
	A inch	A mm	R inch	R mm		
1/4"	2.625	66.7	0.62	15.90	580-00027	580-00078
3/8"	2.625	66.7	1.00	25.40	580-00028	580-00079
1/2"	3.00	76.2	1.13	28.60	580-00029	580-00080
3/4"	3.00	76.2	1.13	28.60	580-00030	580-00081
1"	3.00	76.2	1.50	38.10	580-00031	580-00055
1 1/2"	3.75	95.3	2.25	57.20	580-00032	580-00082
2"	4.75	120.7	3.00	76.20	580-00033	580-00083
2 1/2"	5.50	139.7	3.75	95.25	580-00034	580-00084
3"	6.25	158.8	4.50	114.30	580-00035	580-00085
4"	8.00	203.2	6.00	152.40	580-00036	580-00086
6"	11.50	292.1	9.00	228.60	580-00037	580-00087

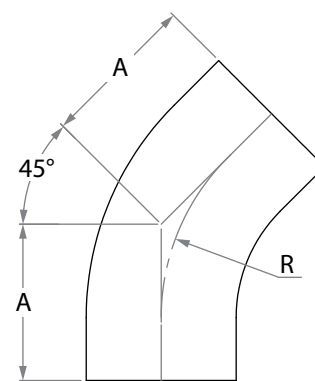


* **How to order** - see page 6

** *For wall thickness please refer to page 10*

EL45 - Elbow 45°

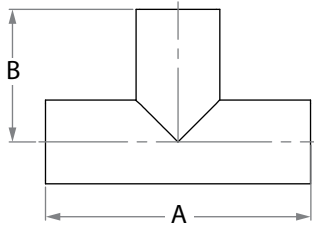
O.D. Size Inch	Dimensions				Catalog# EP	Catalog# BA/ MP
	A inch	A mm	R inch	R mm		
1/4"	2.000	50.8	0.62	15.90	580-00038	580-00088
3/8"	2.000	50.8	1.00	25.40	580-00039	580-00089
1/2"	2.250	57.2	1.13	28.60	580-00040	580-00090
3/4"	2.250	57.2	1.13	28.60	580-00041	580-00091
1"	2.250	57.2	1.50	38.10	580-00026	580-00092
1 1/2"	2.500	63.5	2.25	57.20	580-00043	580-00093
2"	3.000	76.2	3.00	76.20	580-00044	580-00094
2 1/2"	3.375	85.7	3.75	95.25	580-00045	580-00095
3"	3.625	92.1	4.50	114.30	580-00046	580-00096
4"	4.500	114.3	6.00	152.40	580-00048	580-00097
6"	6.250	158.8	9.00	228.60	580-00047	580-00098



* **How to order** - see page 6

** *For wall thickness please refer to page 10*

Tees

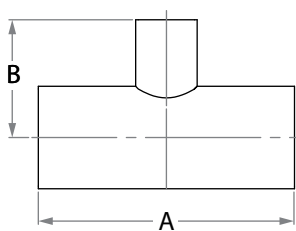


ETEE - Equal Tee

O.D. Size Inch	Dimensions				Catalog# EP	Catalog# BA/MP
	A inch	A mm	B inch	B mm	SCiMax 10	SCiMax 30
1/4"	3.500	88.90	1.750	44.50	579-00059	579-00234
3/8"	3.500	88.90	1.750	44.50	579-00060	579-00235
1/2"	3.750	95.25	1.875	47.60	579-00062	579-00237
3/4"	4.000	101.60	2.000	50.80	579-00065	579-00240
1"	4.250	108.00	2.125	54.00	579-00069	579-00057
1 1/2"	4.750	120.60	2.375	60.30	579-00074	579-00248
2"	5.750	146.00	2.875	73.00	579-00080	579-00254
2 1/2"	6.250	158.75	3.125	79.40	579-00087	579-00261
3"	6.750	171.40	3.375	85.70	579-00095	579-00269
4"	8.250	209.60	4.125	104.80	579-00102	579-00276
6"	11.25	285.80	5.625	142.90	579-00110	579-00284

* How to order - see page 6

** For wall thickness please refer to page 10



RTEE - Reducing Tee

O.D. Size Inch	Dimensions				Catalog# EP	Catalog# BA/MP
	A inch	A mm	B inch	B mm	SCiMax 10	SCiMax 30
3/8" x 1/4"	3.50	88.90	1.750	44.45	579-00061	579-00236
1/2" x 1/4"	3.75	95.30	1.875	47.65	579-00063	579-00238
1/2" x 3/8"	3.75	95.30	1.875	47.65	579-00064	579-00239
3/4" x 1/4"	4.00	101.60	2.000	50.80	579-00066	579-00241
3/4" x 3/8"	4.00	101.60	2.000	50.80	579-00067	579-00242
3/4" x 1/2"	4.00	101.60	2.000	50.80	579-00068	579-00243
1" x 1/4"	4.25	108.00	2.125	54.00	579-00070	579-00244
1" x 3/8"	4.25	108.00	2.125	54.00	579-00071	579-00245
1" x 1/2"	4.25	108.00	2.125	54.00	579-00072	579-00246
1" x 3/4"	4.25	108.00	2.125	54.00	579-00073	579-00247
1 1/2" x 1/4"	4.75	120.70	2.375	60.30	579-00075	579-00249
1 1/2" x 3/8"	4.75	120.70	2.375	60.30	579-00076	579-00250
1 1/2" x 1/2"	4.75	120.70	2.375	60.30	579-00077	579-00251
1 1/2" x 3/4"	4.75	120.70	2.375	60.30	579-00078	579-00252
1 1/2" x 1"	4.75	120.70	2.375	60.30	579-00079	579-00253

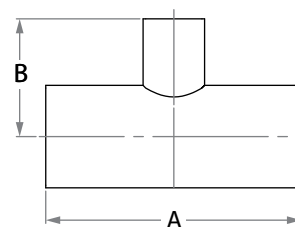
* How to order - see page 6

** For wall thickness please refer to page 10

Tees

RTEE - Reducing Tee

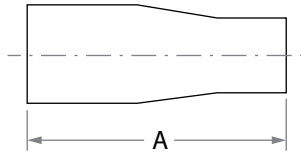
O.D. Size Inch	Dimensions				Catalog# EP	Catalog# BA/ MP
	A inch	A mm	B inch	B mm	SciMax 10	SciMax 30
2" x 1/4"	5.75	146.00	2.625	66.70	579-00081	579-00255
2" x 3/8"	5.75	146.00	2.625	66.70	579-00082	579-00256
2" x 1/2"	5.75	146.00	2.625	66.70	579-00083	579-00257
2" x 3/4"	5.75	146.00	2.625	66.70	579-00084	579-00258
2" x 1"	5.75	146.00	2.625	66.70	579-00085	579-00259
2" x 1 1/2"	5.75	146.00	2.625	66.70	579-00086	579-00260
2 1/2" x 1/4"	6.25	158.80	2.875	73.00	579-00088	579-00262
2 1/2" x 3/8"	6.25	158.80	2.875	73.00	579-00089	579-00263
2 1/2" x 1/2"	6.25	158.80	2.875	73.00	579-00090	579-00264
2 1/2" x 3/4"	6.25	158.80	2.875	73.00	579-00091	579-00265
2 1/2" x 1"	6.25	158.80	2.875	73.00	579-00092	579-00266
2 1/2" x 1 1/2"	6.25	158.80	2.875	73.00	579-00093	579-00267
2 1/2" x 2"	6.25	158.80	2.875	73.00	579-00094	579-00268
3" x 1/4"	6.75	171.50	3.125	79.40	579-00437	579-00383
3" x 3/8"	6.75	171.50	3.125	79.40	579-00438	579-00445
3" x 1/2"	6.75	171.50	3.125	79.40	579-00096	579-00270
3" x 3/4"	6.75	171.50	3.125	79.40	579-00097	579-00271
3" x 1"	6.75	171.50	3.125	79.40	579-00098	579-00272
3" x 1 1/2"	6.75	171.50	3.125	79.40	579-00099	579-00273
3" x 2"	6.75	171.50	3.125	79.40	579-00100	579-00274
3" x 2 1/2"	6.75	171.50	3.125	79.40	579-00101	579-00275
4" x 1/4"	8.25	209.60	3.625	92.10	579-00439	579-00444
4" x 3/8"	8.25	209.60	3.625	92.10	579-00440	579-00443
4" x 1/2"	8.25	209.60	3.625	92.10	579-00103	579-00277
4" x 3/4"	8.25	209.60	3.625	92.10	579-00104	579-00278
4" x 1"	8.25	209.60	3.625	92.10	579-00105	579-00279
4" x 1 1/2"	8.25	209.60	3.625	92.10	579-00106	579-00280
4" x 2"	8.25	209.60	3.875	98.40	579-00107	579-00281
4" x 2 1/2"	8.25	209.60	3.875	98.40	579-00108	579-00282
4" x 3"	8.25	209.60	3.875	98.40	579-00109	579-00283
6" x 1/4"	11.25	285.80	4.875	123.80	579-00441	579-00442
6" x 3/8"	11.25	285.80	4.875	123.80	579-00448	579-00446
6" x 1/2"	11.25	285.80	4.875	123.80	579-00111	579-00285
6" x 3/4"	11.25	285.80	4.875	123.80	579-00112	579-00286
6" x 1"	11.25	285.80	4.875	123.80	579-00113	579-00287
6" x 1 1/2"	11.25	285.80	4.875	123.80	579-00114	579-00288
6" x 2"	11.25	285.80	4.875	123.80	579-00115	579-00289
6" x 2 1/2"	11.25	285.80	4.875	123.80	579-00116	579-00290
6" x 3"	11.25	285.80	4.875	123.80	579-00117	579-00291
6" x 4"	11.25	285.80	5.625	142.90	579-00118	579-00292



* How to order - see page 6

** For wall thickness please refer to page 10

Reducers



CORD - Concentric Reducer

O.D. Size Inch	Dimensions		Catalog# EP		Catalog# BA/MP
	A inch	A mm	SCiMax 10	SCiMax 30	
3/8" x 1/4"	1.625	41.28	578-00032		578-00140
1/2" x 1/4"	1.875	47.63	578-00033		578-00141
1/2" x 3/8"	1.875	47.63	578-00034		578-00142
3/4" x 1/4"	1.875	47.63	578-00035		578-00143
3/4" x 3/8"	1.875	47.63	578-00036		578-00144
3/4" x 1/2"	1.875	47.63	578-00037		578-00145
1" x 1/4"	2.125	53.97	578-00038		578-00146
1" x 3/8"	2.125	53.97	578-00039		578-00147
1" x 1/2"	2.125	53.97	578-00040		578-00148
1" x 3/4"	2.125	53.97	578-00041		578-00149
1 1/2" x 1/4"	2.250	57.15	578-00042		578-00150
1 1/2" x 3/8"	2.250	57.15	578-00043		578-00151
1 1/2" x 1/2"	2.250	57.15	578-00044		578-00152
1 1/2" x 3/4"	2.250	57.15	578-00045		578-00153
1 1/2" x 1"	2.250	57.15	578-00046		578-00154
2" x 1/4"	2.750	69.85	578-00047		578-00155
2" x 3/8"	2.750	69.85	578-00048		578-00156
2" x 1/2"	2.750	69.85	578-00049		578-00157
2" x 3/4"	2.750	69.85	578-00050		578-00158
2" x 1"	2.750	69.85	578-00051		578-00159
2" x 1 1/2"	2.750	69.85	578-00052		578-00160
2 1/2" x 1/2"	3.500	88.90	578-00053		578-00161
2 1/2" x 3/4"	3.500	88.90	578-00054		578-00162
2 1/2" x 1"	3.500	88.90	578-00055		578-00163
2 1/2" x 1 1/2"	3.500	88.90	578-00056		578-00164
2 1/2" x 2"	3.500	88.90	578-00057		578-00165
3" x 1/2"	4.250	108.00	578-00058		578-00166
3" x 3/4"	4.250	108.00	578-00059		578-00167
3" x 1"	4.250	108.00	578-00060		578-00168
3" x 1 1/2"	4.250	108.00	578-00061		578-00169
3" x 2"	4.250	108.00	578-00062		578-00170
3" x 2 1/2"	4.250	108.00	578-00063		578-00171
4" x 1/2"	5.000	127.00	578-00268		578-00267
4" x 3/4"	5.000	127.00	578-00064		578-00172
4" x 1"	5.000	127.00	578-00065		578-00173
4" x 1 1/2"	5.000	127.00	578-00066		578-00174
4" x 2"	5.000	127.00	578-00067		578-00175
4" x 2 1/2"	5.000	127.00	578-00068		578-00176
4" x 3"	5.000	127.00	578-00069		578-00177
6" x 1"	6.000	152.40	578-00070		578-00178
6" x 1 1/2"	6.000	152.40	578-00071		578-00179
6" x 2"	6.000	152.40	578-00072		578-00180
6" x 2 1/2"	6.000	152.40	578-00073		578-00181
6" x 3"	6.000	152.40	578-00074		578-00182
6" x 4"	6.000	152.40	578-00075		578-00183

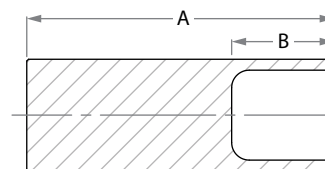
* How to order - see page 7

** For wall thickness please refer to page 10

End Caps

ECAP - End Cap

O.D. Size Inch	Dimensions			
	A inch	A mm	B inch	B mm
¼"	1.368	34.7472	0.456	11.582
⅜"	1.750	44.45	0.583	14.817
½"	1.750	44.45	0.583	14.817
¾"	1.750	44.45	0.583	14.817
1"	1.750	44.45	0.583	14.817
1½"	2.000	50.8	0.667	16.933
2"	2.000	50.8	0.667	16.933
2½"	2.000	50.8	0.667	16.933
3"	2.000	50.8	0.667	16.933
4"	2.500	63.5	0.833	21.167
6"	7.874	199.9996	2.625	66.667



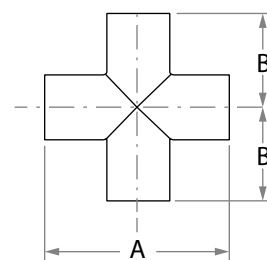
* **How to order** - see page 6

** For wall thickness please refer to page 10

Crosses

ECRS - Equal Cross

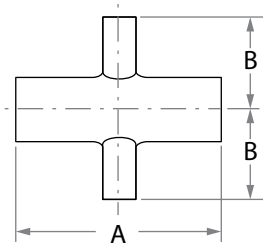
O.D. Size Inch	Dimensions			
	A inch	A mm	B inch	B mm
¼"	3.500	88.90	1.750	44.50
⅜"	3.500	88.90	1.750	44.50
½"	3.750	95.25	1.875	47.63
¾"	4.000	101.60	2.000	50.80
1"	4.250	108.00	2.125	54.00
1½"	4.750	120.60	2.375	60.30
2"	5.750	146.00	2.875	73.00
2½"	6.250	158.80	3.125	79.40
3"	6.750	171.40	3.375	85.70
4"	8.250	209.60	4.125	104.80
6"	11.25	285.80	5.625	142.90



* **How to order** - see page 6

** For wall thickness please refer to page 10

Crosses



RCRS - Reducing Cross - continued on next page

O.D. Size Inch	Dimensions			
	A inch	A mm	B inch	B mm
3/8" x 1/4"	3.500	88.90	1.750	44.45
1/2" x 1/4"	3.750	95.30	1.875	47.63
1/2" x 3/8"	3.750	95.30	1.875	47.63
3/4" x 1/4"	4.000	101.60	2.000	50.80
3/4" x 3/8"	4.000	101.60	2.000	50.80
3/4" x 1/2"	4.000	101.60	2.000	50.80
1" x 1/4"	4.250	108.00	2.125	54.00
1" x 3/8"	4.250	108.00	2.125	54.00
1" x 1/2"	4.250	108.00	2.125	54.00
1" x 3/4"	4.250	108.00	2.125	54.00
1 1/2" x 1/4"	4.750	120.70	2.375	60.35
1 1/2" x 3/8"	4.750	120.70	2.375	60.35
1 1/2" x 1/2"	4.750	120.70	2.375	60.35
1 1/2" x 3/4"	4.750	120.70	2.375	60.35
1 1/2" x 1"	4.750	120.70	2.375	60.35
2" x 1/4"	5.750	146.00	2.625	66.70
2" x 3/8"	5.750	146.00	2.625	66.70
2" x 1/2"	5.750	146.00	2.625	66.70
2" x 3/4"	5.750	146.00	2.625	66.70
2" x 1"	5.750	146.00	2.625	66.70
2" x 1 1/2"	5.750	146.00	2.625	66.70
2 1/2" x 1/4"	6.250	158.80	2.875	73.00
2 1/2" x 3/8"	6.250	158.80	2.875	73.00
2 1/2" x 1/2"	6.250	158.80	2.875	73.00
2 1/2" x 3/4"	6.250	158.80	2.875	73.00
2 1/2" x 1"	6.250	158.80	2.875	73.00
2 1/2" x 1 1/2"	6.250	158.80	2.875	73.00
2 1/2" x 2"	6.250	158.80	2.875	73.00

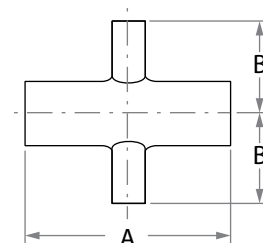
* **How to order** - see page 6

** **For wall thickness** please refer to page 10

Crosses

RCRS - Reducing Cross

O.D. Size Inch	Dimensions			
	A inch	A mm	B inch	B mm
3" x 1/4"	6.750	171.50	3.125	79.40
3" x 3/8"	6.750	171.50	3.125	79.40
3" x 1/2"	6.750	171.50	3.125	79.40
3" x 3/4"	6.750	171.50	3.125	79.40
3" x 1"	6.750	171.50	3.125	79.40
3" x 1 1/2"	6.750	171.50	3.125	79.40
3" x 2"	6.750	171.50	3.125	79.40
3" x 2 1/2"	6.750	171.50	3.125	79.40
4" x 1/4"	8.250	209.60	3.625	92.10
4" x 3/8"	8.250	209.60	3.625	92.10
4" x 1/2"	8.250	209.60	3.625	92.10
4" x 3/4"	8.250	209.60	3.625	92.10
4" x 1"	8.250	209.60	3.625	92.10
4" x 1 1/2"	8.250	209.60	3.625	92.10
4" x 2"	8.250	209.60	3.875	98.40
4" x 2 1/2"	8.250	209.60	3.875	98.40
4" x 3"	8.250	209.60	3.875	98.40
6" x 1/4"	11.250	285.80	4.875	123.80
6" x 3/8"	11.250	285.80	4.875	123.80
6" x 1/2"	11.250	285.80	4.875	123.80
6" x 3/4"	11.250	285.80	4.875	123.80
6" x 1"	11.250	285.80	4.875	123.80
6" x 1 1/2"	11.250	285.80	4.875	123.80
6" x 2"	11.250	285.80	4.875	123.80
6" x 2 1/2"	11.250	285.80	4.875	123.80
6" x 3"	11.250	285.80	4.875	123.80
6" x 4"	11.250	285.80	5.125	130.20

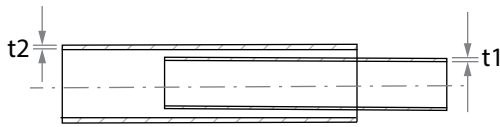


* **How to order** - see page 6

** **For wall thickness please refer to page 10**



Coax - Tubes



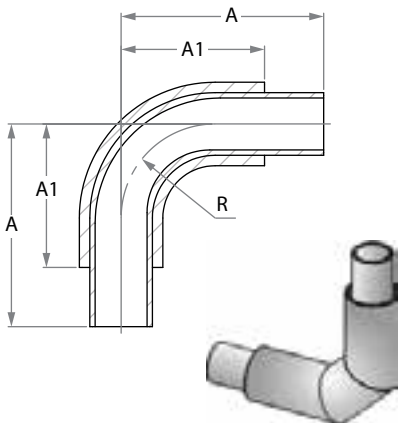
Tubes

O.D. Size Inch		Dimensions				Catalog # BA/EP	
Inner Tube	X	Outer Tube	Wall Thickness Inner Tube		Wall Thickness Outer Tube		SCiMax 30/10
			t1 inch	t1 mm	t2 inch	t2 mm	
1/4"	x	1/2"	0.035	0.89	0.049	1.24	581-00081
3/8"	x	5/8"	0.035	0.89	0.049	1.24	581-00131
1/2"	x	3/4"	0.049	1.24	0.065	1.65	581-00088
3/4"	x	1"	0.065	1.65	0.065	1.65	581-00129
1"	x	1 1/4"	0.065	1.65	0.065	1.65	***

* **How to order** - see page 7

*** Available upon request

Coax - Elbows



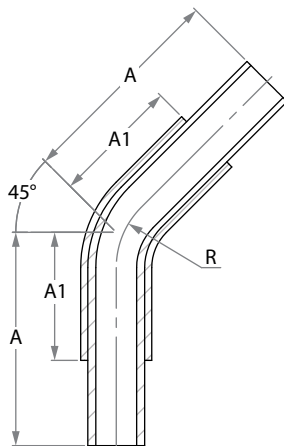
EL90 - Elbow 90°

O.D. Size Inch		Dimensions						Catalog # BA/EP	
Inner Tube	X	Outer Tube	A inch	A mm	A1 inch	A1 mm	R inch	R mm	SCiMax 30/10
3/8"	x	5/8"	4.0	101.6	3.0	76.2	1.125	28.6	585-00002
1/2"	x	3/4"	4.0	101.6	3.0	76.2	1.125	28.6	585-00011
***3/4"	x	1"	3.2	81.4	2.3	58.4	1.125	28.6	585-00013
***1"	x	1 1/4"	4.5	114.3	2.6	66.1	1.500	38.1	585-00014
***1 1/2"	x	2"	4.8	121.9	3.4	86.4	2.250	57.2	585-00012

* **How to order** - see page 8

** For wall thickness please refer to page 18

*** External elbow welded from segments



EL45 - Elbow 45°

O.D. Size Inch		Dimensions						Catalog # BA/EP	
Inner Tube	X	Outer Tube	A inch	A mm	A1 inch	A1 mm	R inch	R mm	SCiMax 30/10
3/8"	x	5/8"	3.25	82.6	2.25	57.2	1.125	28.6	585-00024
1/2"	x	3/4"	3.25	82.6	2.25	57.2	1.125	28.6	585-00025
3/4"	x	1"	3.25	82.6	2.25	57.2	1.125	28.6	585-00026
1"	x	1 1/4"	3.75	95.3	2.25	57.2	1.500	38.1	585-00027

* **How to order** - see page 8

** For wall thickness please refer to page 18

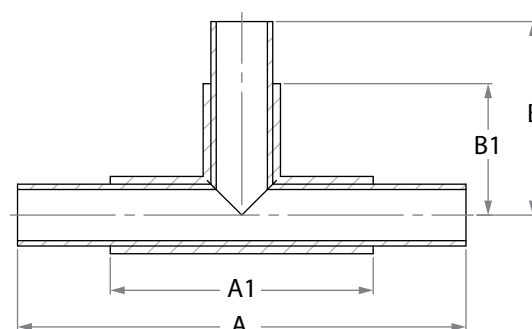
Coax - Tees

ETEE - Equal Tee

O.D. Size Inch			Dimensions								Catalog # BA/EP
Inner Tube	X	Outer Tube	A inch	A mm	A1 inch	A1 mm	B inch	B mm	B1 inch	B1 mm	SciMax 30/10
1/4"	x	1/2"	5.75	146.05	3.75	95.25	2.87	73.00	1.875	47.60	584-00001
3/8"	x	5/8"	5.75	146.05	3.75	95.25	2.87	73.00	1.875	47.60	584-00002
1/2"	x	3/4"	6.00	152.40	4.00	101.60	3.00	76.20	2.000	50.80	584-00009
3/4"	x	1"	6.25	158.80	4.25	108.00	3.13	79.40	2.125	54.00	584-00008
1"	x	1 1/4"	7.25	184.20	4.25	108.00	3.13	79.40	2.125	54.00	584-00010

* **How to order** - see page 8

** **For wall thickness please refer to page 18**



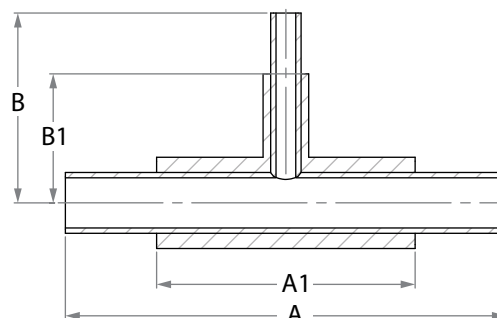
RTEE - Reducing Tee

O.D. Size Inch			Reducing O.D. Size Inch		Dimensions								Catalog # BA/EP	
Inner Tube	X	Outer Tube	Inner Tube	X	Outer Tube	A inch	A mm	A1 inch	A1 mm	B inch	B mm	B1 inch	B1 mm	SciMax 30/10
3/8"	x	5/8"	1/4"	x	1/2"	5.75	146.1	3.75	95.3	2.875	73.0	1.875	47.6	584-00016
1/2"	x	3/4"	1/4"	x	1/2"	6.00	152.4	4.00	101.6	3.000	76.2	2.000	50.8	584-00017
1/2"	x	3/4"	3/8"	x	5/8"	6.00	152.4	4.00	101.6	3.000	76.2	2.000	50.8	584-00018
3/4"	x	1"	1/4"	x	1/2"	6.25	158.8	4.25	108.0	3.125	79.4	2.125	54.0	584-00019
3/4"	x	1"	3/8"	x	5/8"	6.25	158.8	4.25	108.0	3.125	79.4	2.125	54.0	584-00020
1"	x	1 1/4"	1/4"	x	1/2"	7.25	184.2	4.25	108.0	3.125	79.4	2.125	54.0	***
1"	x	1 1/4"	3/8"	x	5/8"	7.25	184.2	4.25	108.0	3.125	79.4	2.125	54.0	***
1"	x	1 1/4"	1/2"	x	3/4"	7.25	184.2	4.25	108.0	3.125	79.4	2.125	54.0	584-00005
1"	x	1 1/4"	3/4"	x	1"	7.25	184.2	4.25	108.0	3.125	79.4	2.125	54.0	***
1"	x	1 1/2"	1/2"	x	3/4"	7.25	184.2	4.25	108.0	3.125	79.4	2.125	54.0	584-00007
1 1/2"	x	2 1/2"	3/4"	x	1"	7.75	196.9	4.75	120.7	3.125	79.4	2.125	54.0	584-00006

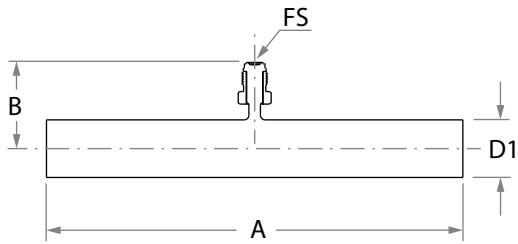
* **How to order** - see page 8

** **For wall thickness please refer to page 18**

*** **Available upon request**



Coax Accessories



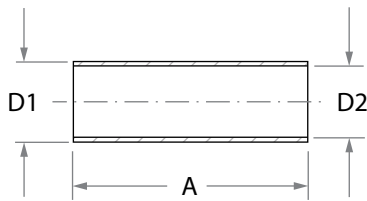
PTEE - Purge Tee

O.D. Size Inch		Dimensions							Catalog # BA/EP	
Inner Tube	X Outer Tube	D1 inch	D1 mm	A inch	A mm	B inch	B mm	FS	SCiMax 30/10	
1/4"	x 1/2"	0.25	6.35	3.75	95.25	1.875	47.65	0.25	584-00023	
3/8"	x 5/8"	0.62	15.75	3.75	95.25	6.000	152.4	0.25	584-00024	
1/2"	x 3/4"	0.75	19.05	4.00	101.60	2.000	50.80	0.25	584-00012	
3/4"	x 1"	1.00	25.4	4.25	108.00	2.125	54.00	0.25	584-00011	
1"	x 1 1/4"	1.25	31.75	4.25	108.00	9.250	234.95	0.25	***	

* **How to order** - see page 8

** For wall thickness please refer to page 18

*** Available upon request

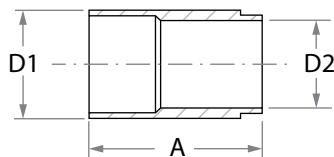


SLVE - Sleeve

O.D. Size Inch		Dimensions					Catalog # BA/EP	
Outer Tube	D1 inch	D1 mm	D2 inch	D2 mm	A inch	A mm	SCiMax 30/10	
1/2"	0.63	15.87	0.53	12.90	2.50	63.50	590-00007	
5/8"	0.75	19.00	0.63	16.10	2.50	63.50	590-00006	
3/4"	0.87	22.00	0.76	19.25	2.50	63.50	590-00008	
1"	1.14	29.00	1.02	25.60	3.50	88.90	590-00004	
1 1/4"	1.38	35.00	1.26	32.00	3.50	88.90	590-00009	

* **How to order** - see page 8

** For wall thickness please refer to page 18



TERM - Terminator

O.D. Size Inch		Dimensions							Catalog # BA/EP	
Inner Tube	X Outer Tube	D1 inch	D1 mm	D2 inch	D2 mm	A inch	A mm	SCiMax 30/10		
1/4"	x 1/2"	0.50	12.7	0.26	6.60	1.87	47.60	590-00001		
3/8"	x 5/8"	0.63	15.9	0.38	9.70	2.13	54.00	590-00005		
1/2"	x 3/4"	0.75	19.1	0.51	12.90	2.13	54.00	590-00010		
3/4"	x 1"	1.00	25.4	0.76	19.30	2.13	54.00	590-00002		
1"	x 1 1/4"	1.25	31.8	1.00	25.40	2.13	54.00	***		

* **How to order** - see page 8

** For wall thickness please refer to page 20

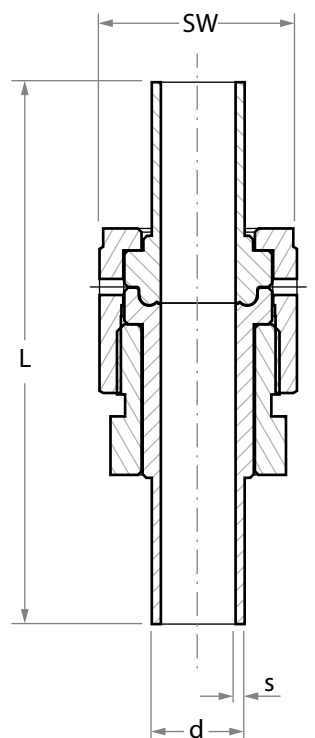
*** Available upon request

Sci - Connect S®

SCI - Connect S®

O.D. Size Inch	Dimensions				Size*
	d mm	s mm	L mm	SW mm	
¼"	6.35	0.89	71.00	19.00	0.25
½"	12.70	1.24	74.00	27.00	0.5
¾"	19.05	1.65	91.00	38.00	0.75
1"	25.40	1.65	99.00	44.50	1.0

* How to order - see page 7

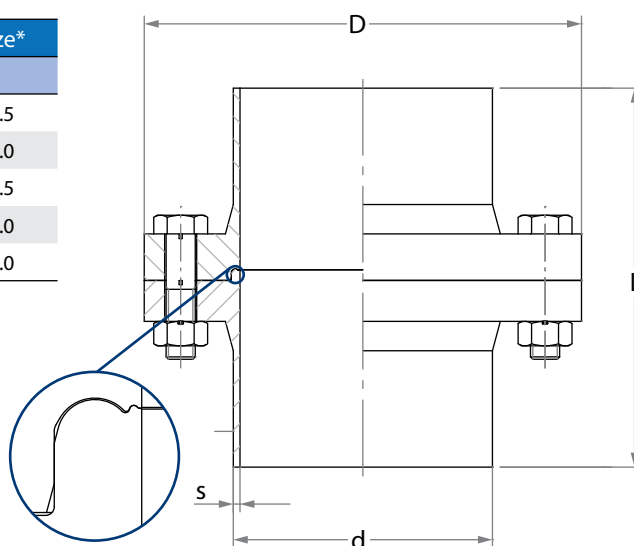


Seals Without Gasket

SCI - Connect S®

O.D. Size Inch	Dimensions				Size*
	d mm	s mm	L mm	D mm	
1½"	38.10	1.65	102.00	105.00	1.5
2"	50.80	1.65	106.00	125.00	2.0
2½"	63.50	1.65	106.00	135.00	2.5
3"	76.20	1.65	130.00	145.00	3.0
4"	101.60	2.11	134.00	180.00	4.0

* How to order - see page 7



Laterals and Manifolds

EGMO offers top quality PCW, CFOS &UHP pre-fabricated laterals & manifolds for the semiconductor industry. Using EGMO unique 3D internal welding technology dead leg in laterals and manifold POC's are reduced to minimum:

- Reduce purge time.
- Reduce number of welding on-site
- Reduce cost per line

With new state of the art pre-fabrication plant and clean room facility EGMO offer the best quality laterals & manifolds.

Advantages

- Reducing field installation time by pipe contractor
- All MP & EP manifold are passivated
- Custom designed, manufactured, and 100% tested from a single source
- Reduced assembly & installation costs
- Warranted as a single part number
- Advanced and Unique internal welding technology
- Reduced dead leg in branch
- Minimum weld per manifold



EGMO Laterals Application

- PCW & WFI water loops
- Bulk Gases distribution systems
- Specialty gases distribution systems
- Mini Lateral for hook up

PCW Laterals

304L SCH10
 Diameters: 3"- 8"
 Material: 304L
 Standard: ASTM A312

CFOS Laterals

316L
 Diameters: 1"-4"
 Material: 316L
 Standard: ASTM A269/ 270

UHP - Ultra High Purity

316L EP
 Diameters: 1"- 6"
 Parker Valves
 For UHP gases

Manifold Outlets

Weld connection
 Gland connection
 Clamp ferrule
 Ball valve
 Diaphragm valve
 Compression fittings

Applications

Ultra high purity gases
 Utility gas line laterals
 Process Cooling Water
 Short manifolds for gas cabinets



EGMO Manifold New Concept

Advantages

Low Diameter Lateral Specification

Sizes - 1/4" - 1"

Branches - 1/4" - 3/4"

Outlets - VCR Glands

Standard Mini Lateral

Based on a combination of a UHP tube welded to a mini butt-weld Tee fitting and a gland fitting creating 3 welding per each connection.

EGMO Advanced UHP Mini Lateral

based on a direct internal welding of the UHP Gland to the tube saving the usage of the mini butt-weld tee and two welding per each connection.

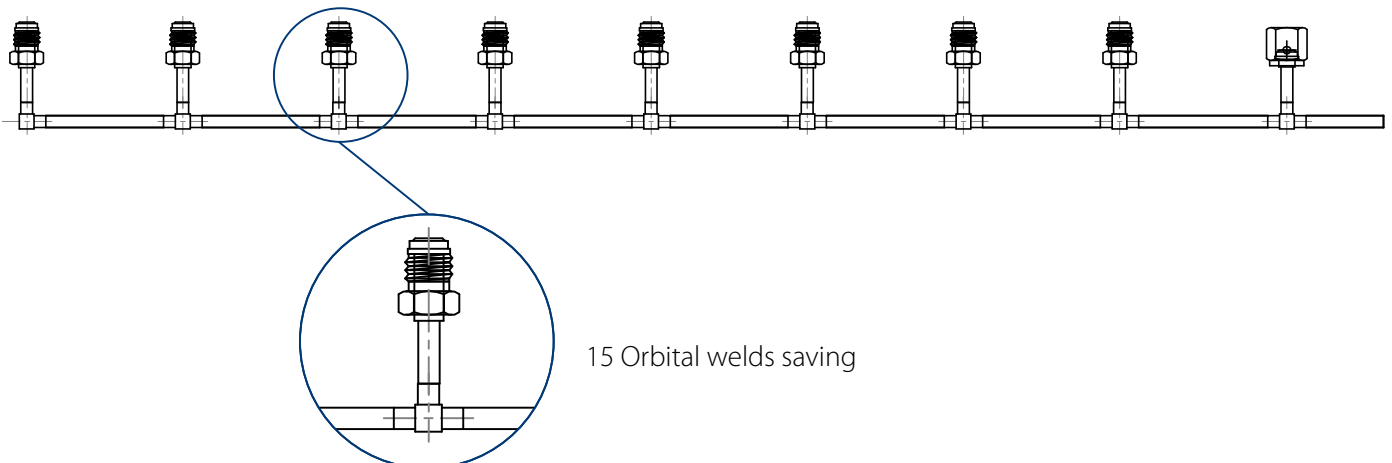
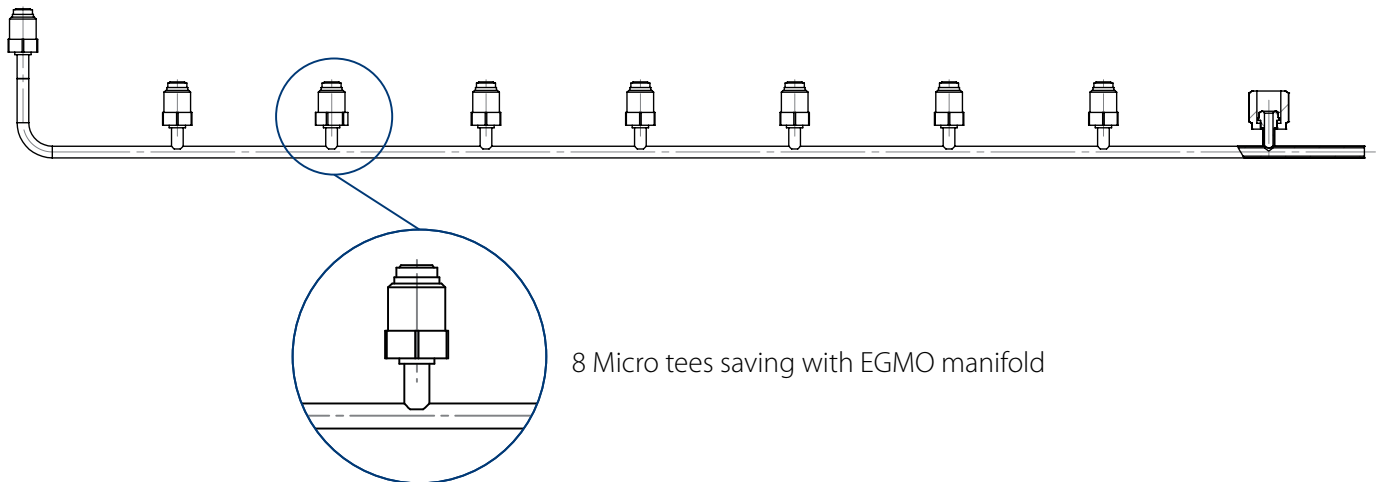
Main Advantages:

Improve safety

Improve quality

Reducing cost

Implementation of Internal Welding Technology



Technical Information

Tube Tolerances

Tubing specifications, ASTM A269/ A270/ A632

Tubing Diameter	Wall Thickness	OD Dimensional Specifications	Length	Wall Thickness Tolerance
		ASTM Spec.	ASTM Spec.	ASTM Spec.
¼"	.035"	+0.004"/-.000"	-0+1/8"	+/-10%
⅜"	.035"	+0.004"/-.000"	-0+1/8"	+/-10%
½"	.049"	+0.005"/-.005"	-0+1/8"	+/-10%
¾"	.065"	+0.005"/-.005"	-0+1/8"	+/-10%
1"	.065"	+0.005"/-.005"	-0+1/8"	+/-10%
1½"	.065"	+0.010"/-.010"	-0+1/8"	+/-10%
2"	.065"	+0.010"/-.010"	-0+1/8"	+/-10%
2½"	.065"	+0.010"/-.010"	-0+1/8"	+/-10%
3"	.065"	+0.010"/-.010"	-0+1/8"	+/-10%
4"	.083"	+0.015"/-.015"	-0+1/8"	+/-10%
6"	.109"	+0.030"/-.030"	-0+1/8"	+/-10%

Material and Properties

Chemical Composition for Various Stainless Steels

Material	Carbon	Manganese	Silicone	Chromium	Nickel	Molybdenum	Phosphorus	Sulfur
304	≤0.08	≤2.00	≤1.00	18.0-20.0	8.0-10.5	-	≤0.045	≤0.03
304L	≤0.03	≤2.00	≤1.00	18.0-20.0	8.0-12.0	-	≤0.045	≤0.03
316	≤0.08	≤2.00	≤1.00	16.0-18.0	10.0-14.0	2.0-3.0	≤0.045	≤0.03
316L	≤0.03	≤2.00	≤1.00	16.0-18.0	10.0-14.0	2.0-3.0	≤0.045	≤0.03

Operating Pressures of Stainless Steel Tubing

Size OD Tube	Nom. Wall	AISI 316L (1.4404)			AISI 304L (1.4306)		
		Working Pressure (psi/bar)	Yield Pressure (psi/bar)	Burst Pressure (psi/bar)	Working Pressure (psi/bar)	Yield Pressure (psi/bar)	Burst Pressure (psi/bar)
¼"	.035	5.941/410	8.436/582	20.400/1.407	6.250/430	9.200/665	21.200/1.500
⅜"	.035	3.835/265	5.445/375	13.200/910	4.150/285	6.750/465	14.500/1.000
½"	.049	4.550/314	6.500/448	18.200/1.255	4.880/336	7.800/538	19.500/1.344
¾"	.065	3.030/209	4.300/296	12.100/834	3.250/224	5.200/358	13.000/896
1"	.065	2.280/157	3.300/227	9.100/627	2.440/168	3.900/269	9.800/896
1½"	.065	1.520/105	2.200/152	6.100/421	1.630/112	2.600/179	6.500/448
2"	.065	1.140/79	1.600/110	4.600/317	1.220/84	2.000/138	4.900/338
2½"	.065	910/63	1.300/90	3.600/248	980/68	1.600/110	3.900/269
3"	.065	760/52	1.100/76	3.000/207	810/56	1.300/90	3.300/228
4"	.083	730/50	1.000/69	2.900/200	780/54	1.200/83	3.100/214
6"	.109	640/44	900/62	2.500/172	680/47	1.100/76	2.700/186

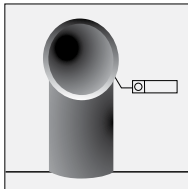
Fitting Tolerances

Tubing specifications, ASTM A269/ A270/ A632

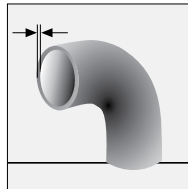
Nominal OD Size	¼"	⅜"	½"	¾"	1"	1½"	2"	2½"	3"	4"	6"
O.D. Tolerance	±.005	±.005	±.005	±.005	±.005	±.008	±.008	±.010	±.010	±.015	±.030
Nominal Wall Thickness	.035	.035	.049	.065	.065	.065	.065	.065	.065	.083	.109
Wall Thickness Tolerance before EP	+0.03/- .004	+0.03/- .004	+0.05/- .008	+0.05/- .008	+0.05/- .008	+0.05/- .008	+0.05/- .008	+0.05/- .008	+0.05/- .008	+0.08/- .010	+0.15/- .015
Wall Thickness Tolerance after EP	+0.05/- .010	+0.05/- .010	+0.05/- .010	+0.05/- .010	+0.05/- .010	+0.05/- .010	+0.05/- .010	+0.05/- .010	+0.05/- .010	+0.08/- .012	+0.15/- .017
Control Length (C)	.750	.750	.750	.750	.750	.750	.750	.750	.750	.750	.750
Tangent Length (T)	1.500	1.500	1.500	1.500	1.500	1.500	1.500	1.500	1.750	2.000	2.500
Squareness Face to Tangent (B)	.005	.005	.005	.005	.008	.008	.008	.010	.016	.016	.030
Off Angle (O)	.009	.012	.014	.018	.025	.034	.043	.054	.068	.086	.135
Off Plane (P)	±.030	±.030	±.030	±.030	±.030	±.050	±.050	±.050	±.050	±.060	±.060

* All dimensions are in Inches

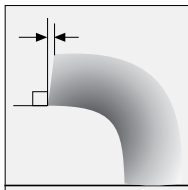
• Roundness



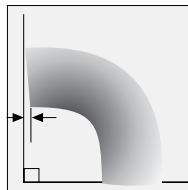
• Wall Thickness



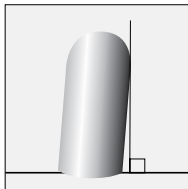
• Squareness Face to Tangent



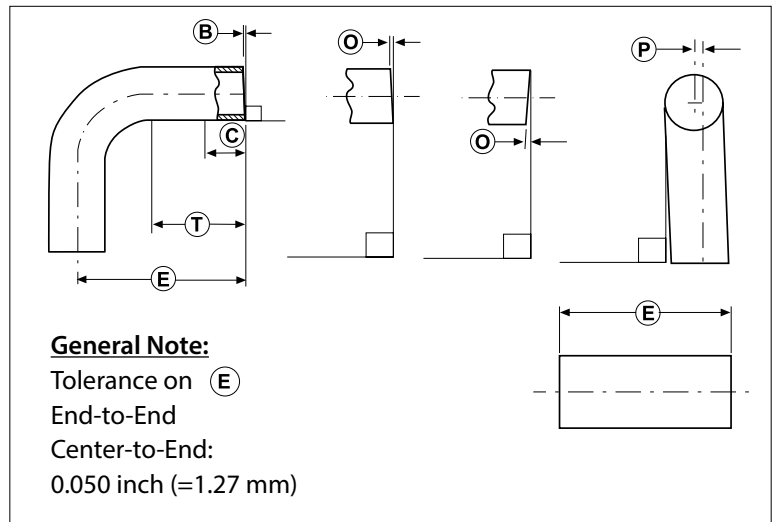
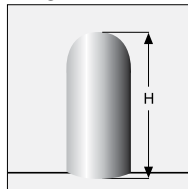
• Off Angle



• Off Plane

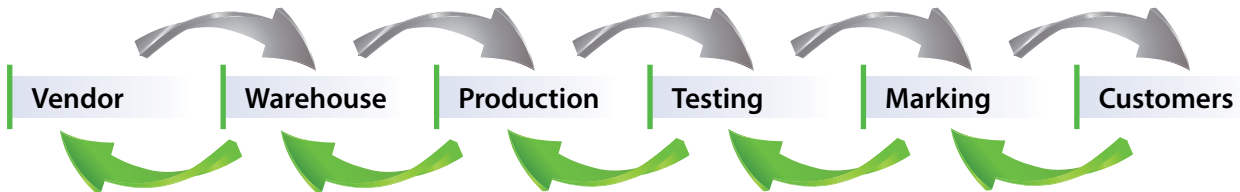


• Height



MTR - Material Test Report

The MTR is the reference document for the entire history of the production processes and the raw materials used to make the SCiMax component.



The MTR document is easily generated on-line via egmo.co.il using only the job number as input. The job number is the product identification number which represents all processes and raw materials related to the specific item.

ON-LINE MTR

Please, enter job/certificate number:



The MTR is also available for download with QR CODE

The MTR format provides the following information:

- Part number, part description and job number
- Material type
- Heat Number per each component describing the fitting and its associated properties:
 - Tube dimensions and standards
 - Chemical composition
 - Mechanical properties
 - Visual, dimensional, corrosion, EDDY current testing, flaring and flattening, PMI Test
- Certificate of Compliance (please refer to table page 5)

Customized Components

EGMO, VNE, and NEUMO are distinguished by their unique ability to provide the highest quality stainless steel products - ranging from special fittings, connectors, electro polished vessels and tanks with the most advanced technology, and other special accessories - for a cross-industry clientele.

Our abilities have developed and progressed over the years, allowing us to offer a one-of-a-kind business opportunity: custom stainless steel products and systems, manufactured according to client specifications and needs.

Our Vessels & custom products can be designed to meet any requirement, including vessels, abnormal sizes, special angles, sprinklers, subsystems and many more - all in compliance with industrial regulations.



NEUMO EHRENBERG GROUP

GLOBAL LOCATIONS



NEUMO GmbH+Co. KG (D)
 Tel: +49 (0) 7043 36 0
 Fax: +49 (0) 7043 36 179
 E-Mail: info@neumo.de
 www.neumo.de
GERMANY



VNE Corporation
 Tel: +1 800 356 1111
 +1 608 756 4930
 Fax: +1 608 756 3643
 E-Mail: stainless@vnecorp.com
 www.vnestainless.com
U.S.A



EGMO Ltd.
 Tel: +972 (0) 4 9855 176
 +972 (0) 4 9855 111
 Fax: +972 (0) 4 9855 175
 E-Mail: salese@egmo.co.il
 www.egmo.co.il
ISRAEL



NEUMO-EGMO Spain S.L
 Tel: +34 977 524 914
 Fax: +34 977 524 898
 E-Mail: neumo-es@neumo-es.com
 www.neumo-es.com
SPAIN



HPT Inc.
 Tel: +845.452.1103
 +800.284.4478
 E-Mail: sales@hptinc.com
 http://www.hptinc.com/
U.S.A



Herrli AG
 Tel: +41 (0) 31 750 12 11
 Fax: +41 (0) 31 750 12 00
 E-Mail: info@herrli.net
 www.herrli.net
SWITZERLAND



NEUMO Polska Sp. z.o.o
 Tel: +48 (0) 46 833 4306
 Fax: +48 (0) 46 832 5626
 E-Mail: neumo@neumo.pl
POLAND



NEUMO Turkey
 Tel: +90 (212) 875 01 41
 Fax: +90 (212) 875 23 13
 E-Mail: info@neumo.com.tr
 www.neumo.com.tr
TURKEY



NEUMO Budapest Kft
 Tel: +36 (1) 3174177
 +36 (1) 3185982
 Fax: +36 (1) 266 8765
 E-Mail: neumo@neumo.hu
 www.neumo.hu
HUNGARY



NEUMO GmbH + Co. KG
 Tel: +84 (4) 3773 6586
 Fax: +84 (4) 3773 6587
 E-Mail: info@neumo.com.vn
 www.neumo.co.vn
VIETNAM



NEUMO-VARGUS (Shanghai)
 Trading Co., Ltd
 Tel: +86 (21) 54178180
 Fax: +86 (21) 54178190
 E-Mail: info@neumo.com.cn
CHINA



NEUMO UK Ltd.
 Tel: +44 (0) 1952 583 999
 Fax: +44 (0) 1952 583 958
 E-Mail: stainless@neumo.co.uk
 www.neumo.co.uk
UNITED KINGDOM



AWH Armaturenwerke (D)
 Hötensleben GmbH
 Tel: +49 (0) 39405 92 0
 Fax: +49 (0) 39405 92 111
 E-Mail: info@awh.de
 www.awh.de



NEUMO
 Tel: +353 (0)21 4975540
 Cel: +353 (0)87 2330469
 E-Mail: dosullivan@neumo.de
 www.neumo.de/en/
IRELAND



Damstahl a/s (Denmark)
 Tel: +45 (0) 8794 4000
 Fax: +45 (0) 8794 4150
 E-Mail: ds@damstahl.com
 www.damstahl.dk
DENMARK

Damstahl GmbH (D)
 Tel: +49 (0) 2173 797 0
 Fax: +49 (0) 2173 797 274
 E-Mail: ds@damstahl.de
 www.damstahl.de



Damstahl a/s Oslo (N)
 Tel: +47 5615 1570
 Fax: +47 5615 1571
 E-Mail: dano@damstahl.com
 www.damstahl.no
NORWAY



Damstahl a/b (Sweden)
 Tel: +46 87 61 71 00
 Fax: +46 87 61 14 05
 www.damstahl.se
SWEDEN

Gebr. Rieger GmbH+Co. KG (D)
 Tel: +49 (0) 7361 5702 0
 Fax: +49 (0) 7361 5702 51
 E-Mail: info@rr-rieger.de
 www.rr-rieger.de
GERMANY



Semiconductor



Bio-Pharm



Hygienic