

FLOW METER ACCESSORIES

STRAIGHTENING VANES

RESTRICTION ORIFICE UNIONS

CONDENSATE CHAMBERS



TECH TUBE DIVISION

ENERGY FLOW SYSTEMS, INC.

P.O. BOX 14127 • HOUSTON, TEXAS 77221-4127
PHONE: (713) 741-8828 • FAX: (713) 747-7868

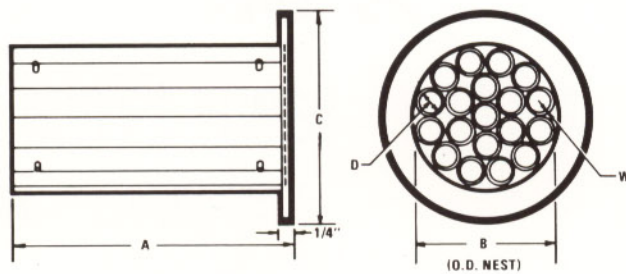
STRAIGHTENING VANES

Straightening vanes are manufactured in a symmetrical nest of thin wall steel tubing beveled on each end. Tangent points on both ends are welded for maximum strength.

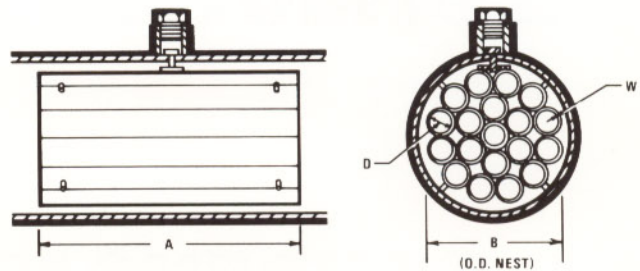
WHEN ORDERING SPECIFY: Flange or line type - size and pipe I.D.



MODEL 1100-F FLANGE TYPE

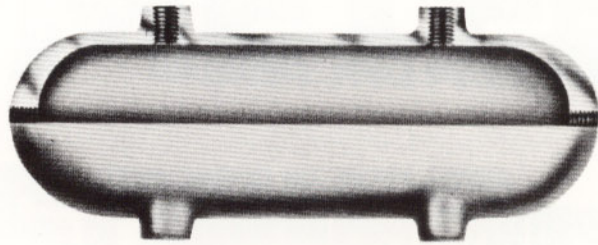
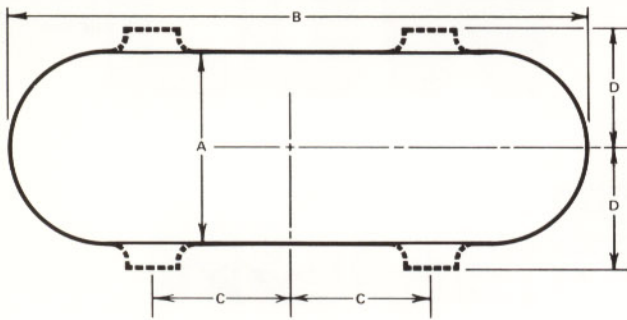


MODEL 1100-L LINE TYPE



LINE SIZE	PIPE I.D.	A	B	C	D O.D.	W (BWG)	NO. TUBES	WEIGHT	
								LINE TYPE	FLANGE TYPE
2.	2.067	6	1.875	3-5/8	.625	16(.065)	7	2	2-1/2
3"	3.068	9	2.750	5	.625	18(.049)	13	3-1/2	4-1/2
4"	4.026	10	3.644	6-3/16	.750	18(.049)	19	6	8
6"	6.065	12	5.937	8-1/2	1.187	18(.049)	19	19	21
8"	7.981	16	7.906	10-5/8	1.625	16(.065)	19	38	35
10"	10.020	20	9.716	12-3/4	2.000	14(.083)	19	54	58
12"	12.000	24	11.538	15	2.375	14(.083)	19	78	83
14"	13.250	28	12.752	16-1/4	2.625	11(.120)	19	144	150
16"	15.250	32	14.574	18-1/2	3.000	11(.120)	19	178	185
18"	17.250	36	17.000	21	3.500	11(.120)	19	249	257
20"	19.250	40	18.218	23	3.750	11(.120)	19	296	306
24"	23.250	48	23.076	27-1/4	4.750	11(.120)	19	452	464

TRAPS, CONDENSATE CHAMBERS AND SEAL POTS



All units are forged from ASTM A-106 Grade B seamless pipe providing uniform wall thickness and eliminating cold shuts or folds.

Female 1/4" NPT connections are provided on each end of catalog nos. 210-S & 210-X. All other catalog nos. have 1/2" connections. Additional connections shown are optional.

WHEN ORDERING SPECIFY:

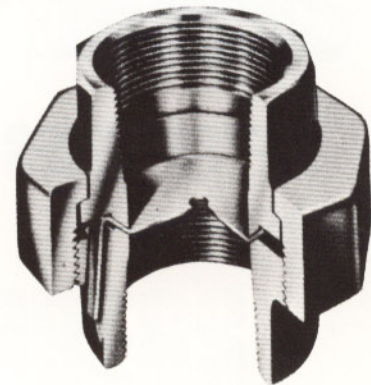
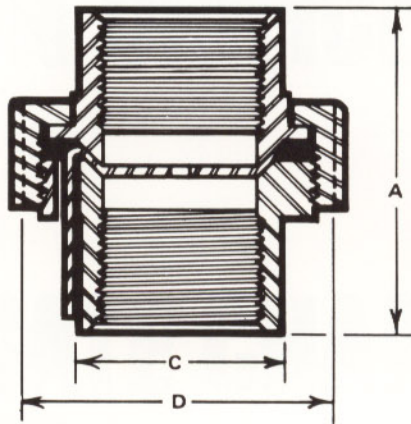
Catalog number and optional connections desired.

PART NO.	PIPE SCHEDULE	DIMENSIONS			
		A	B	C	D
210-S	40	2-3/8	10	2	2-5/16
210-X	80	2-3/8	10	2	2-5/16
311-S	40	3-1/2	11	2	2-7/8
311-X	80	3-1/2	11	2	2-7/8
311-XX	Double Extra Hvy	3-1/2	11	2	2-7/8
414-X	80	4-1/2	14	3	3-3/8
414-XX	Double Extra Hvy	4-1/2	14	3	3-3/8

RESTRICTION ORIFICE UNIONS

- CARBON STEEL OR STAINLESS
- SCREWED OR SOCKET WELD

Orifice plates are one-piece stainless steel shaped to fit the contour of the union seat (ball to cone) eliminating the need for gaskets. Plates are tabbed to identify orifice size without breaking union.



WHEN ORDERING SPECIFY:

Line size
Carbon or stainless steel
Screwed or socket weld
Bore diameter

*socket depth (approximately)

**socket bore diameter

LINE SIZE	A	C	D	SOCKET WELD ONLY		WT. PER 100 (LBS.)
				E*	F**	
1/4"	1-3/4"	25/32"	1-3/8"	1/2"	.555"	40
3/8"	1-15/16"	15/16"	1-9/16"	19/32"	.690"	53
1/2"	2-3/32"	1-3/32"	1-13/16"	25/32"	.855"	73
3/4"	2-7/16"	1-3/8"	2-3/16"	27/32"	1.065"	125
1"	2-9/16"	1-21/32"	2-9/16"	1"	1.330"	177
1 1/4"	2-15/16"	2-1/32"	3-1/16"	1-3/32"	1.675"	267
1 1/2"	3-1/8"	2-5/16"	3-13/32"	1-3/32"	1.915"	337
2"	3-19/32"	2-27/32"	4-3/32"	1-3/16"	2.406"	530

OTHER TECH TUBE

PRODUCTS INCLUDE

VENTURI TUBES

FLOW NOZZLES

ORIFICE PLATES

ORIFICE FLANGE UNIONS

METER TUBES



TECH TUBE DIVISION
ENERGY FLOW SYSTEMS, INC.

Represented By

P.O. BOX 14127
HOUSTON, TEXAS 77221-4127
(713) 741-8828
FAX: (713) 747-7868